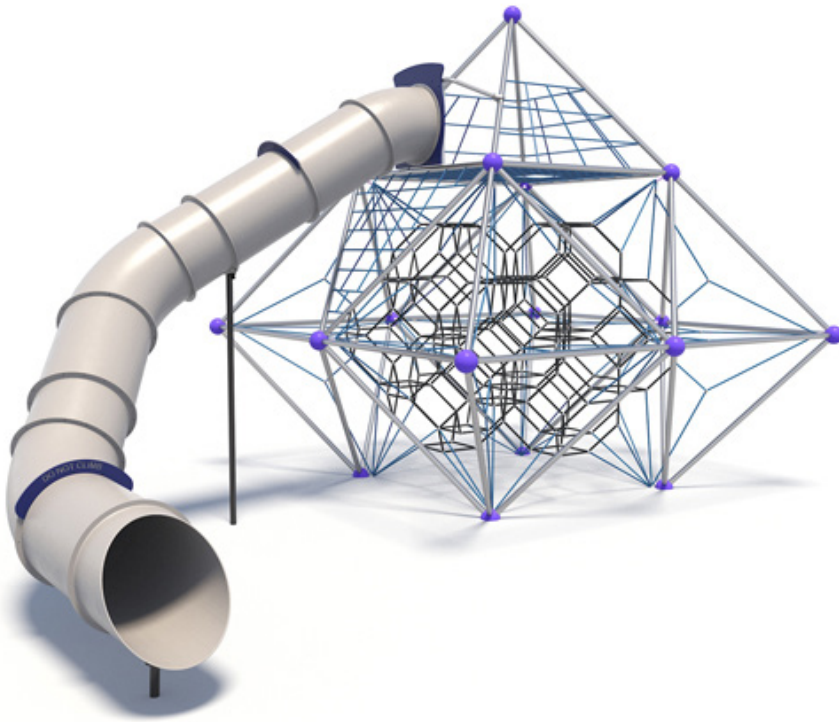


SUMMIT


U-9675 - 18 New York with Tube Slide



PRODUCT INFORMATION

 [Download Files](#)

 [3D Render](#)

 SUITABLE FOR EXTREME MARINE

 [Extreme Marine](#)

PLAY VALUE



 x 3
ACTIVITIES

 x 20
USERS

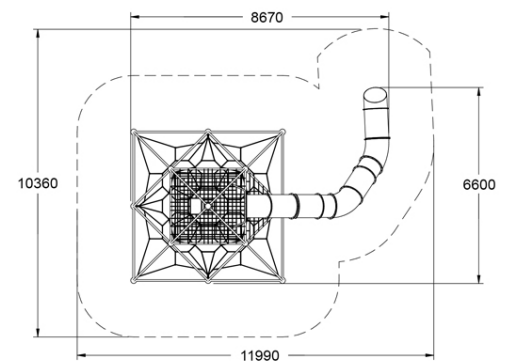
SPECIFICATIONS

Age Range	Mixed
Fall Height	2000mm
Soft-fall Area	105m ²
Space Req. Incl Soft-fall	12.40m x 11.35m

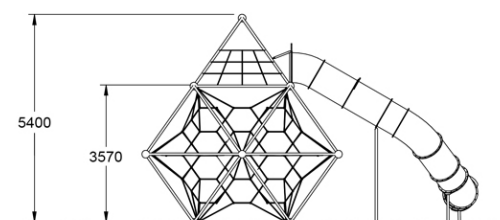
TECHNICAL INFORMATION

AUS Standards Compliance	AS4685
Install Time (Team of 2)	36 hrs
Total Weight	700 kg
Heaviest Component	120 kg
Concrete Required	2 m ³
Number of Footings	8

TOP VIEW



SIDE ELEVATION



[WARRANTY](#)



[CARE PLAN](#)



[COMPLIANCE](#)



[AUS MADE](#)

