

TOWN


G-9904 - 20 Service Station & Bowser



PRODUCT INFORMATION

 [Download Files](#)

 [3D Render](#)

 SUITABLE FOR EXTREME MARINE

 [Extreme Marine](#)

PLAY VALUE



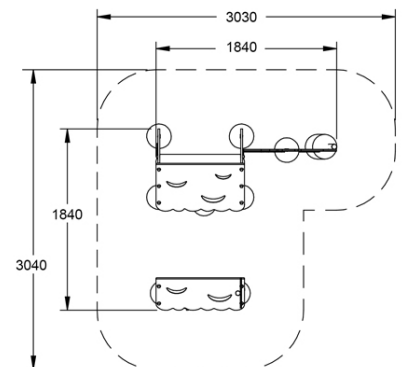
SPECIFICATIONS

Age Range	Junior
Fall Height	N/A
Soft-fall Area	N/A
Space Req. Incl Soft-fall	N/A

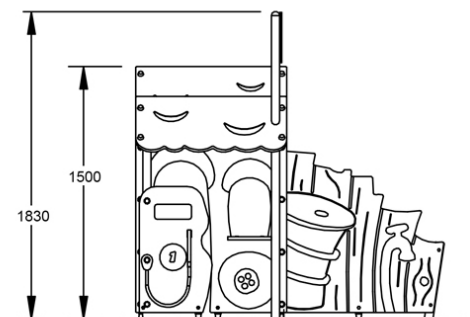
TECHNICAL INFORMATION

AUS Standards Compliance	AS4685
Assembly Time	5 hrs
Total Weight	95 kg
Heaviest Component	55 kg
Concrete Required	.4 m ³
Number of Footings	10

TOP VIEW



SIDE ELEVATION



[WARRANTY](#)



[CARE PLAN](#)



[COMPLIANCE](#)



[AUS MADE](#)