

# TOWN


## G-9902 - 19 Hospital



### PRODUCT INFORMATION

 [Download Files](#)

 [3D Render](#)

 SUITABLE FOR EXTREME MARINE

 [Extreme Marine](#)

### PLAY VALUE



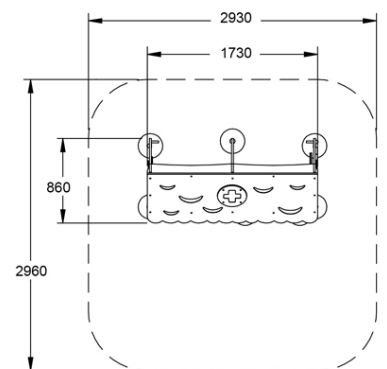
### SPECIFICATIONS

Age Range	Junior
Fall Height	N/A
Soft-fall Area	N/A
Space Req. Incl Soft-fall	N/A

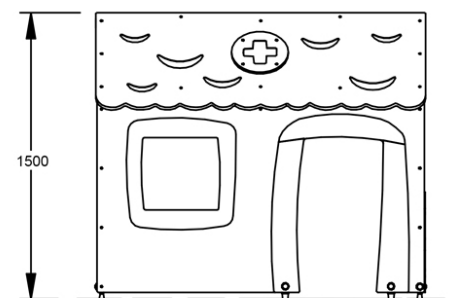
### TECHNICAL INFORMATION

AUS Standards Compliance	AS4685
Assembly Time	4 hrs
Total Weight	70 kg
Heaviest Component	70 kg
Concrete Required	.28 m <sup>3</sup>
Number of Footings	7

### TOP VIEW



### SIDE ELEVATION



[WARRANTY](#)



[CARE PLAN](#)



[COMPLIANCE](#)



[AUS MADE](#)

