


PRODUCT INFORMATION

 [Download Files](#)

 [3D Render](#)

 SUITABLE FOR EXTREME MARINE

 [Extreme Marine](#)

PLAY VALUE



 x 2
ACTIVITIES

 x 20
USERS

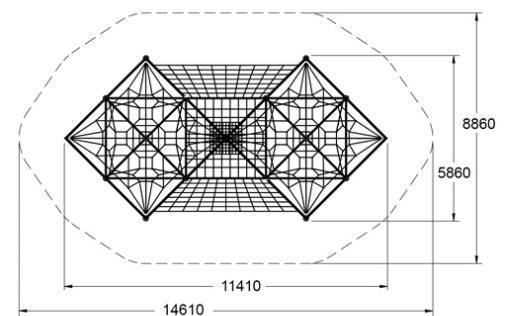
SPECIFICATIONS

Age Range	Mixed
Fall Height	2200mm
Soft-fall Area	104m ²
Space Req. Incl Soft-fall	14.20m x 8.90m

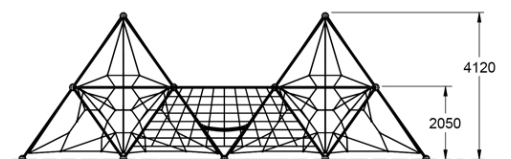
TECHNICAL INFORMATION

AUS Standards Compliance	AS4685
Install Time (Team of 2)	32 hrs
Total Weight	450 kg
Heaviest Component	50 kg
Concrete Required	2 m ³
Number of Footings	7

TOP VIEW



SIDE ELEVATION



[WARRANTY](#)



[CARE PLAN](#)



[COMPLIANCE](#)



[AUS MADE](#)