

SPRING PLAY


R-8091 Quaker Rocker



PRODUCT INFORMATION

 [Download Files](#)

 [3D Render](#)

 SUITABLE FOR EXTREME MARINE

 [Extreme Marine](#)

PLAY VALUE



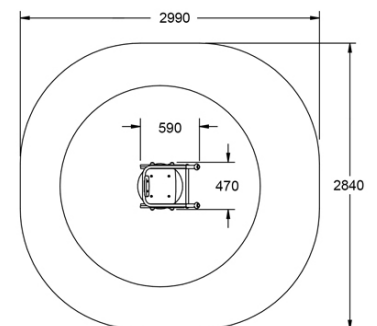
SPECIFICATIONS

Age Range	Mixed
Fall Height	660mm
Soft-fall Area	7.30m ²
Space Req. Incl Soft-fall	3.00m x 2.90m

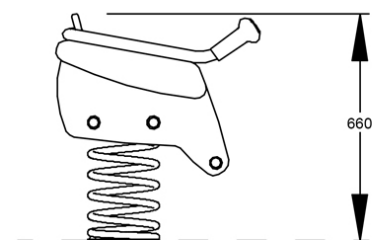
TECHNICAL INFORMATION

AUS Standards Compliance	AS4685.6
Assembly Time	1 hr
Total Weight	35 kg
Heaviest Component	18 kg
Concrete Required	0.425 m ³
Number of Footings	1

TOP VIEW



SIDE ELEVATION



[WARRANTY](#)



[CARE PLAN](#)



[COMPLIANCE](#)



[AUS MADE](#)