

# SPRING PLAY


## R-8074 - 24 Wave Rider – No Springs



### PRODUCT INFORMATION

 [Download Files](#)

 [3D Render](#)

 SUITABLE FOR EXTREME MARINE

 [Extreme Marine](#)

### PLAY VALUE



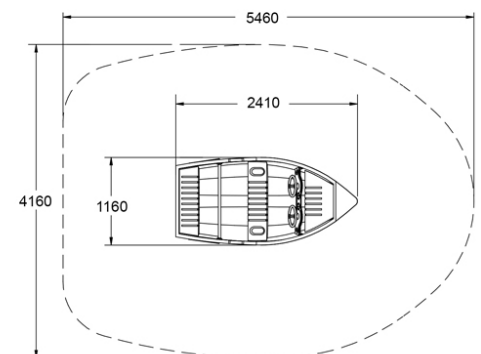
### SPECIFICATIONS

Age Range	Junior
Fall Height	1000mm
Soft-fall Area	14.50m <sup>2</sup>
Space Req. Incl Soft-fall	5.10 x 3.65m

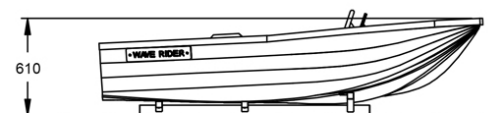
### TECHNICAL INFORMATION

AUS Standards Compliance	AS4685
Assembly Time	4 hrs
Total Weight	75 kg
Heaviest Component	75 kg
Concrete Required	.2 m <sup>3</sup>
Number of Footings	4

### TOP VIEW



### SIDE ELEVATION



[WARRANTY](#)



[CARE PLAN](#)



[COMPLIANCE](#)



[AUS MADE](#)