

SPRING PLAY

R-8038 - 08


Octopus



PRODUCT INFORMATION

 [Download Files](#)

 [3D Render](#)

 SUITABLE FOR EXTREME MARINE

 [Extreme Marine](#)

PLAY VALUE



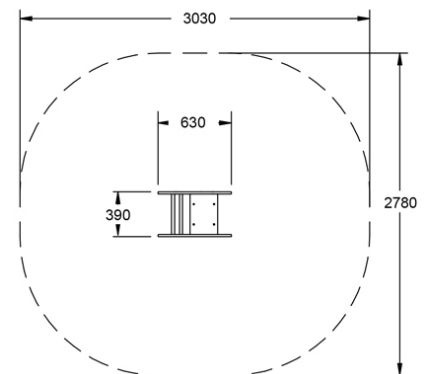
SPECIFICATIONS

Age Range	Mixed
Fall Height	1000mm
Soft-fall Area	7.20m ²
Space Req. Incl Soft-fall	3.05 x 2.80m

TECHNICAL INFORMATION

AUS Standards Compliance	AS4685
Assembly Time	3 hrs
Total Weight	40 kg
Heaviest Component	25 kg
Concrete Required	.05 m ³
Number of Footings	1

TOP VIEW



[WARRANTY](#)



[CARE PLAN](#)



[COMPLIANCE](#)



[AUS MADE](#)