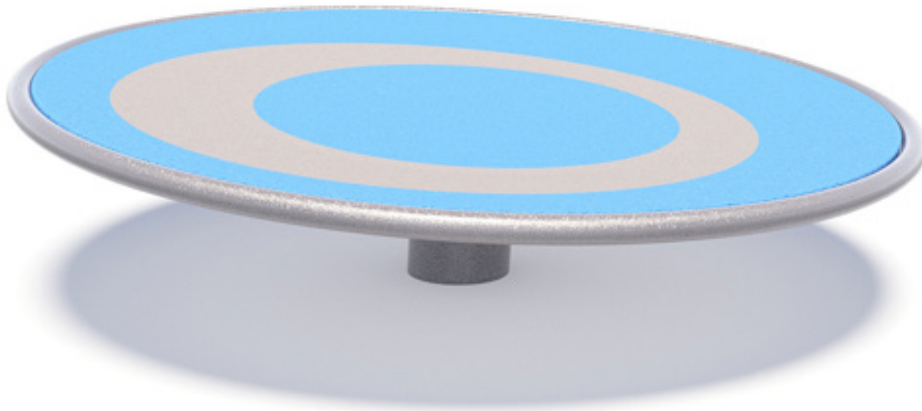


SPINPOINT


N-9061 - 15
Plato



PRODUCT INFORMATION

 [Download Files](#)

 [3D Render](#)

 SUITABLE FOR EXTREME MARINE

 [Extreme Marine](#)

PLAY VALUE



 x 1
ACTIVITIES

 x 5
USERS

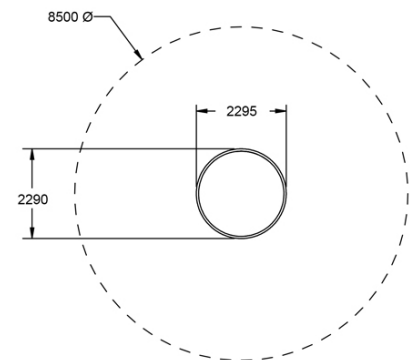
SPECIFICATIONS

Age Range	Mixed
Fall Height	1500mm
Soft-fall Area	58m ²
Space Req. Incl Soft-fall	8.70mØ

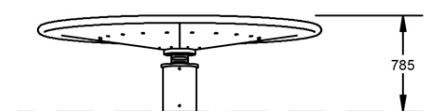
TECHNICAL INFORMATION

AUS Standards Compliance	AS4685
Assembly Time	6 hrs
Total Weight	370 kg
Heaviest Component	350 kg
Concrete Required	.7 m ³
Number of Footings	1

TOP VIEW



SIDE ELEVATION



[WARRANTY](#)



[CARE PLAN](#)



[COMPLIANCE](#)



[AUS MADE](#)