

SPINPOINT


N-9060 - 07
Saucer



PRODUCT INFORMATION

 [Download Files](#)

 [3D Render](#)

 SUITABLE FOR EXTREME MARINE

 [Extreme Marine](#)

PLAY VALUE



 x 1
ACTIVITIES

 x 3
USERS

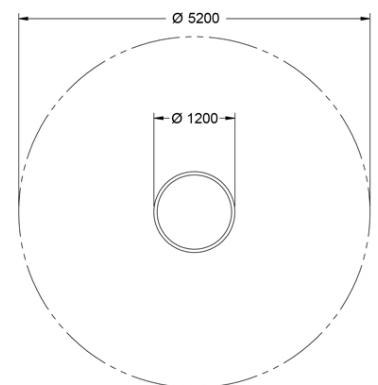
SPECIFICATIONS

Age Range	Mixed
Fall Height	1500mm
Soft-fall Area	21.20m ²
Space Req. Incl Soft-fall	5.20mØ

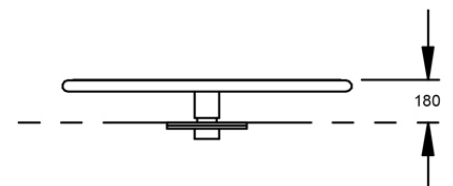
TECHNICAL INFORMATION

AUS Standards Compliance	AS4685
Assembly Time	3 hrs
Total Weight	45 kg
Heaviest Component	45 kg
Concrete Required	.15 m ³
Number of Footings	1

TOP VIEW



SIDE ELEVATION



[WARRANTY](#)



[CARE PLAN](#)



[COMPLIANCE](#)



[AUS MADE](#)