

SPINPOINT


N-9020 - 13
Sails Twista



PRODUCT INFORMATION

 [Download Files](#)

 [3D Render](#)

 SUITABLE FOR EXTREME MARINE

 [Extreme Marine](#)

PLAY VALUE



 x 1
ACTIVITIES

 x 3
USERS

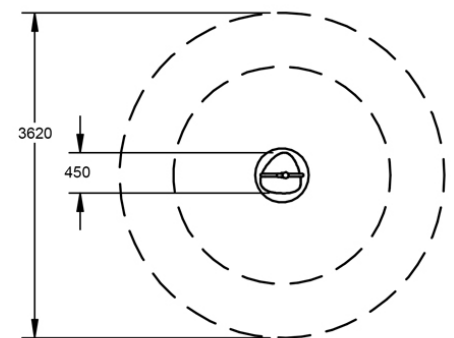
SPECIFICATIONS

Age Range	Mixed
Fall Height	1000mm
Soft-fall Area	10.30m ²
Space Req. Incl Soft-fall	3.60mØ

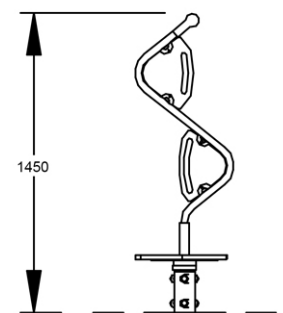
TECHNICAL INFORMATION

AUS Standards Compliance	AS4685
Assembly Time	3 hrs
Total Weight	60 kg
Heaviest Component	40 kg
Concrete Required	.2 m ³
Number of Footings	1

TOP VIEW



SIDE ELEVATION



[WARRANTY](#)



[CARE PLAN](#)



[COMPLIANCE](#)



[AUS MADE](#)