

# SLIDES


## D-8986 - 03 Compact Turbo Curved Slide 1500H



### PRODUCT INFORMATION

 [Download Files](#)

 [3D Render](#)

 SUITABLE FOR EXTREME MARINE

 [Extreme Marine](#)

### PLAY VALUE



 x 1  
ACTIVITIES

 x 5  
USERS

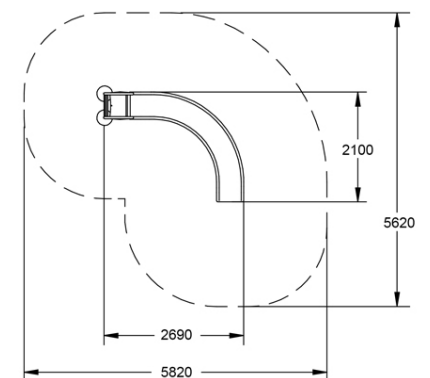
### SPECIFICATIONS

Age Range	Mixed
Fall Height	1000 - 1500mm
Soft-fall Area	24.50m <sup>2</sup>
Space Req. Incl Soft-fall	5.85 x 5.65m

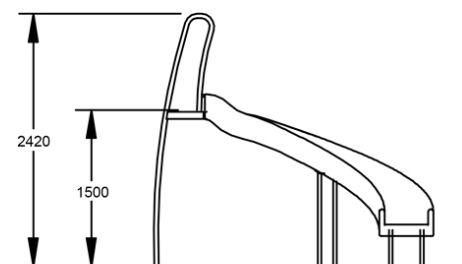
### TECHNICAL INFORMATION

AUS Standards Compliance	AS4685
Assembly Time	3 hrs
Total Weight	70 kg
Heaviest Component	30 kg
Concrete Required	.3 m <sup>3</sup>
Number of Footings	6

### TOP VIEW



### SIDE ELEVATION



[WARRANTY](#)



[CARE PLAN](#)



[COMPLIANCE](#)



[AUS MADE](#)

