

# SAND & WATER


## I-9400 Excavator Equal Access



### PRODUCT INFORMATION

 [Download Files](#)

 [3D Render](#)

 SUITABLE FOR EXTREME MARINE

 [Extreme Marine](#)

### PLAY VALUE



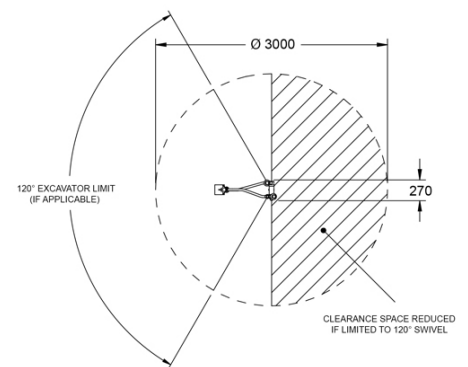
## SPECIFICATIONS

Age Range	Junior / Mixed
Fall Height	833mm
Soft-fall Area	7.10m <sup>2</sup> / 3.50m <sup>2</sup>
Space Req. Incl Soft-fall	3m x 1.50m

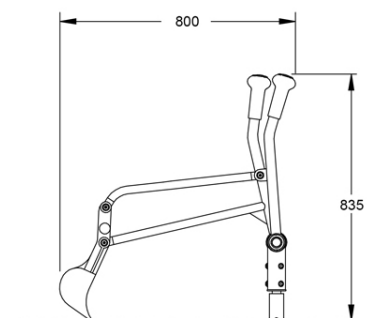
## TECHNICAL INFORMATION

AUS Standards Compliance	AS4685
Install Time (Team of 2)	2 hrs
Total Weight	16 kg
Heaviest Component	3.7 kg
Concrete Required	0.17 m <sup>3</sup>
Number of Footings	1

### TOP VIEW



### SIDE ELEVATION



[WARRANTY](#)



[CARE PLAN](#)



[COMPLIANCE](#)



[AUS MADE](#)