




### PRODUCT INFORMATION

 [Download Files](#)

 [Colour Scheme](#)

 [3D Render](#)

 SUITABLE FOR EXTREME MARINE

 [Extreme Marine](#)

### PLAY VALUE



 x 12  
ACTIVITIES

 x 25  
USERS

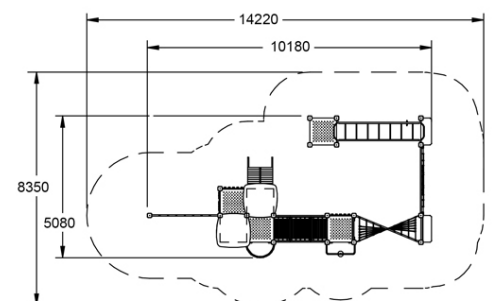
### SPECIFICATIONS

Age Range	Mixed
Fall Height	400 - 2500mm
Soft-fall Area	89.40m <sup>2</sup>
Space Req. Incl Soft-fall	9.20m x 14.60m

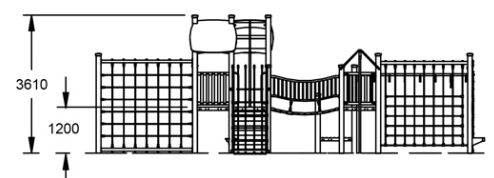
### TECHNICAL INFORMATION

AUS Standards Compliance	AS4685
Assembly Time	3 Days
Total Weight	2200 kg
Heaviest Component	70 kg
Concrete Required	1.7 m <sup>3</sup>
Number of Footings	34

### TOP VIEW



### SIDE ELEVATION



WARRANTY



CARE PLAN



COMPLIANCE



AUS MADE