


### PRODUCT INFORMATION

 [Download Files](#)

 [Colour Scheme](#)

 [3D Render](#)

 SUITABLE FOR EXTREME MARINE

 [Extreme Marine](#)

### PLAY VALUE



 x 7  
ACTIVITIES

 x 15  
USERS



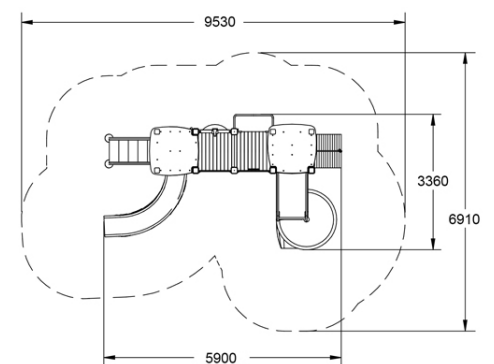
### SPECIFICATIONS

Age Range	Junior/Mixed
Fall Height	1200mm - 2000mm
Soft-fall Area	50.20m <sup>2</sup>
Space Req. Incl Soft-fall	9.55m x 6.95m

### TECHNICAL INFORMATION

AUS Standards Compliance	AS4685
Assembly Time	2 Days
Total Weight	1500 kg
Heaviest Component	60 kg
Concrete Required	1 m <sup>3</sup>
Number of Footings	20

### TOP VIEW



### SIDE ELEVATION



[WARRANTY](#)



[CARE PLAN](#)



[COMPLIANCE](#)



[AUS MADE](#)