

# PREMIUM

## P-8228 - 06 Premium Unit




### PRODUCT INFORMATION

 [Download Files](#)

 [Colour Scheme](#)

 [3D Render](#)

 SUITABLE FOR EXTREME MARINE

 [Extreme Marine](#)

### PLAY VALUE



 x 4  
ACTIVITIES

 x 10  
USERS

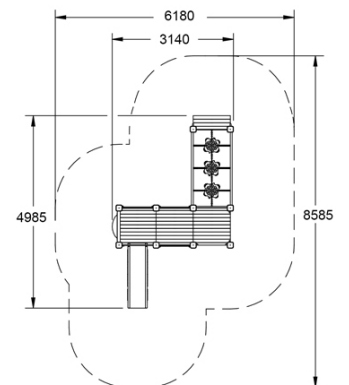
### SPECIFICATIONS

Age Range	Junior
Fall Height	400 - 900mm
Soft-fall Area	39m <sup>2</sup>
Space Req. Incl Soft-fall	8.60m x 6.20m

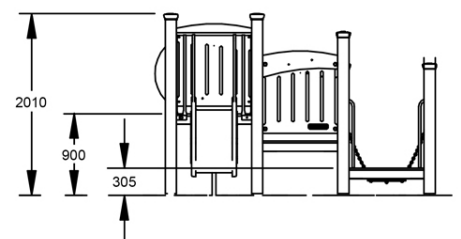
### TECHNICAL INFORMATION

AUS Standards Compliance	AS4685
Assembly Time	1 Day
Total Weight	600 kg
Heaviest Component	25 kg
Concrete Required	0.55m <sup>3</sup>
Number of Footings	11

### TOP VIEW



### SIDE ELEVATION



[WARRANTY](#)



[CARE PLAN](#)



[COMPLIANCE](#)



[AUS MADE](#)