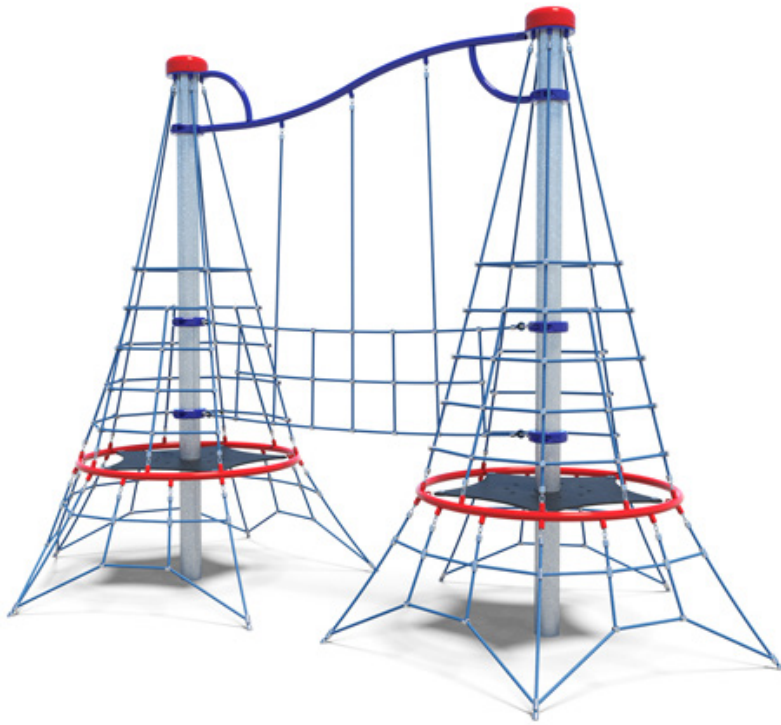


SKYCLIMBER


U-9643 - 02 Pinnacle Skyclimber



PRODUCT INFORMATION

 [Download Files](#)

 [3D Render](#)

 SUITABLE FOR EXTREME MARINE

 [Extreme Marine](#)

PLAY VALUE



 x 1
ACTIVITIES

 x 10
USERS

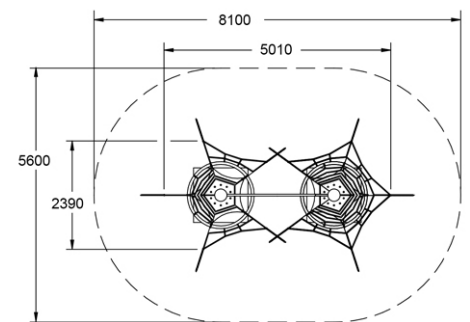
SPECIFICATIONS

Age Range	Mixed
Fall Height	2100mm
Soft-fall Area	38.70m ²
Space Req. Incl Soft-fall	8.10m x 5.60m

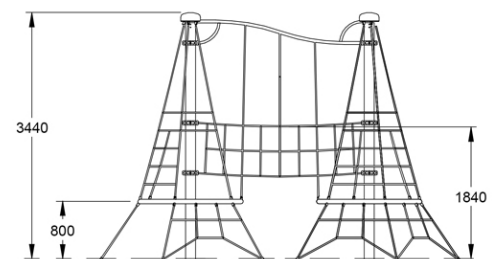
TECHNICAL INFORMATION

AUS Standards Compliance	AS4685
Install Time (Team of 2)	20 hrs
Total Weight	400 kg
Heaviest Component	120 kg
Concrete Required	1.5 m ³
Number of Footings	12

TOP VIEW



SIDE ELEVATION



[WARRANTY](#)



[CARE PLAN](#)



[COMPLIANCE](#)



[AUS MADE](#)

