

# SKYCLIMBER


## U-9640 - 01 Pinnacle Skyclimber



### PRODUCT INFORMATION

 [Download Files](#)

 [3D Render](#)

 SUITABLE FOR EXTREME MARINE

 [Extreme Marine](#)

### PLAY VALUE



 x 1  
ACTIVITIES

 x 5  
USERS

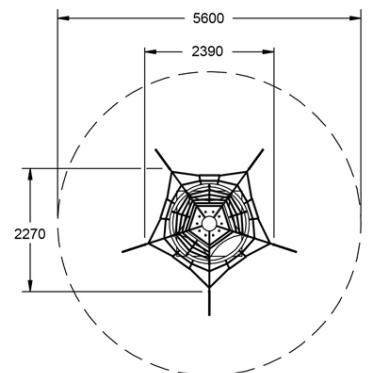
### SPECIFICATIONS

Age Range	Mixed
Fall Height	2100mm
Soft-fall Area	25m <sup>2</sup>
Space Req. Incl Soft-fall	5.60m x 5.60m

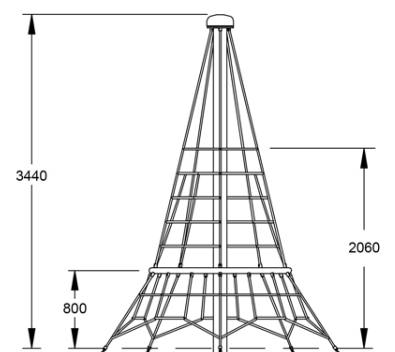
### TECHNICAL INFORMATION

AUS Standards Compliance	AS4685
Install Time (Team of 2)	12 hrs
Total Weight	200 kg
Heaviest Component	120 kg
Concrete Required	.75 m <sup>3</sup>
Number of Footings	6

### TOP VIEW



### SIDE ELEVATION



[WARRANTY](#)



[CARE PLAN](#)



[COMPLIANCE](#)



[AUS MADE](#)

