

GEOCLIMBER

Y-9204
Geo² Trail




PRODUCT INFORMATION

 [Download Files](#)

 [Colour Scheme](#)

 [3D Render](#)

 SUITABLE FOR EXTREME MARINE

 [Extreme Marine](#)

PLAY VALUE



 x 8
ACTIVITIES

 x 16
USERS

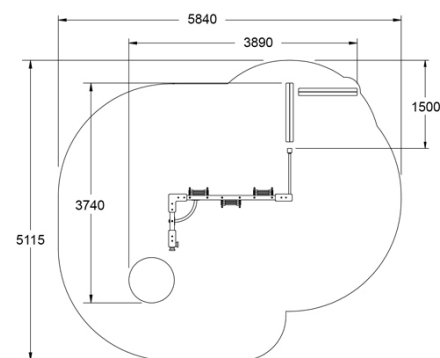
SPECIFICATIONS

Age Range	Mixed
Fall Height	2090mm
Soft-fall Area	23.50m ²
Space Req. Incl Soft-fall	5.90m x 5.20m

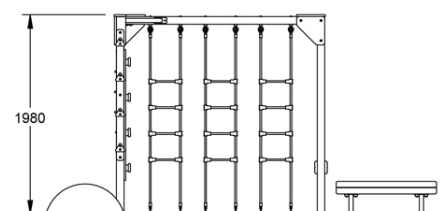
TECHNICAL INFORMATION

AUS Standards Compliance	AS4685
Assembly Time	1 Day
Total Weight	253 kg
Heaviest Component	138 kg
Concrete Required	2.96 m ³
Number of Footings	13

TOP VIEW



SIDE ELEVATION



[WARRANTY](#)



[CARE PLAN](#)



[COMPLIANCE](#)



[AUS MADE](#)