

GEOCLIMBER

Y-9201
Geo² R-Block




PRODUCT INFORMATION

 [Download Files](#)

 [Colour Scheme](#)

 [3D Render](#)

 SUITABLE FOR EXTREME MARINE

 [Extreme Marine](#)

PLAY VALUE



 x 11
ACTIVITIES

 x 22
USERS

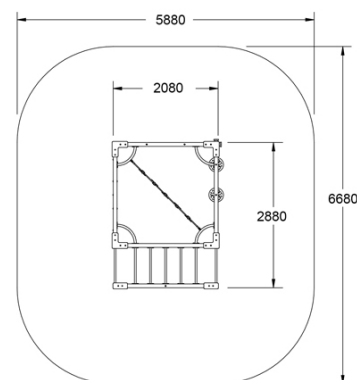
SPECIFICATIONS

Age Range	Mixed
Fall Height	1980mm
Soft-fall Area	36.10m ²
Space Req. Incl Soft-fall	5.90m x 6.70m

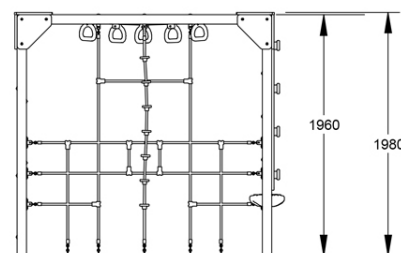
TECHNICAL INFORMATION

AUS Standards Compliance	AS4685
Assembly Time	1 Day
Total Weight	353 kg
Heaviest Component	101 kg
Concrete Required	1.36 m ³
Number of Footings	12

TOP VIEW



SIDE ELEVATION



[WARRANTY](#)



[CARE PLAN](#)



[COMPLIANCE](#)



[AUS MADE](#)