

GEOCLIMBER

Y-9132 - 02 Geoclimber Unit




PRODUCT INFORMATION

 [Download Files](#)

 [Colour Scheme](#)

 [3D Render](#)

 SUITABLE FOR EXTREME MARINE

 [Extreme Marine](#)

PLAY VALUE



 x 7
ACTIVITIES

 x 10
USERS

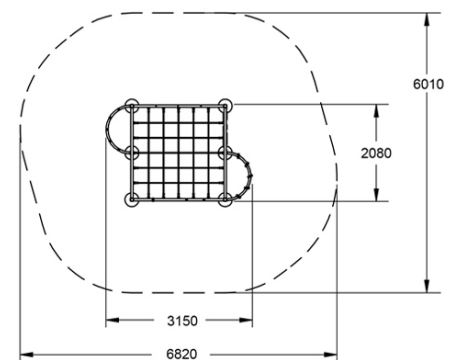
SPECIFICATIONS

Age Range	Mixed
Fall Height	2400mm
Soft-fall Area	35m ²
Space Req. Incl Soft-fall	6.85m x 6.05m

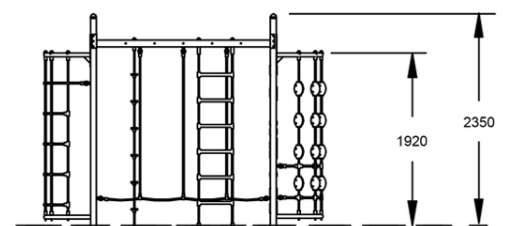
TECHNICAL INFORMATION

AUS Standards Compliance	AS4685
Assembly Time	1 Day
Total Weight	320 kg
Heaviest Component	35 kg
Concrete Required	1.05 m ³
Number of Footings	21

TOP VIEW



SIDE ELEVATION



[WARRANTY](#)



[CARE PLAN](#)



[COMPLIANCE](#)



[AUS MADE](#)