




#### PRODUCT INFORMATION

 [Download Files](#)

 [Colour Scheme](#)

 [3D Render](#)

 SUITABLE FOR EXTREME MARINE

 [Extreme Marine](#)

#### PLAY VALUE



 x 13  
ACTIVITIES

 x 20  
USERS

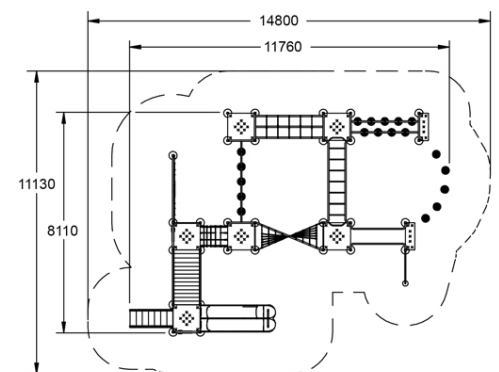
#### SPECIFICATIONS

Age Range	Primary
Fall Height	400 - 2500mm
Soft-fall Area	131.90m <sup>2</sup>
Space Req. Incl Soft-fall	14.80m x 11.15m

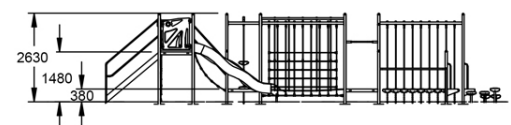
#### TECHNICAL INFORMATION

AUS Standards Compliance	AS4685
Assembly Time	3 Days
Total Weight	600 kg
Heaviest Component	55 kg
Concrete Required	2.2 m <sup>3</sup>
Number of Footings	34

TOP VIEW



SIDE ELEVATION



[WARRANTY](#)



[CARE PLAN](#)



[COMPLIANCE](#)



[AUS MADE](#)