




PRODUCT INFORMATION

 [Download Files](#)

 [Colour Scheme](#)

 [3D Render](#)

 SUITABLE FOR EXTREME MARINE

 [Extreme Marine](#)

PLAY VALUE



 x 8
ACTIVITIES

 x 15
USERS

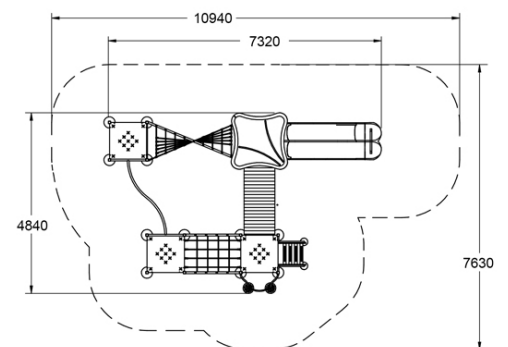
SPECIFICATIONS

Age Range	Primary
Fall Height	400 - 2500mm
Soft-fall Area	65.50m ²
Space Req. Incl Soft-fall	10.95m x 7.65m

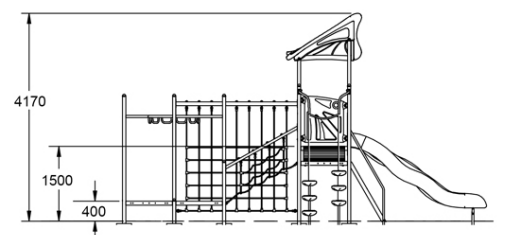
TECHNICAL INFORMATION

AUS Standards Compliance	AS4685
Assembly Time	2.5 Days
Total Weight	700 kg
Heaviest Component	40 kg
Concrete Required	1.05 m ³
Number of Footings	21

TOP VIEW



SIDE ELEVATION



[WARRANTY](#)



[CARE PLAN](#)



[COMPLIANCE](#)



[AUS MADE](#)