



PRODUCT INFORMATION



[Download Files](#)



[Colour Scheme](#)



[3D Render](#)



SUITABLE FOR EXTREME MARINE



[Extreme Marine](#)

PLAY VALUE



CLIMB



AGILITY



BALANCE



SOCIAL PLAY



SLIDE



STRENGTH



x 10

ACTIVITIES



x 15

USERS

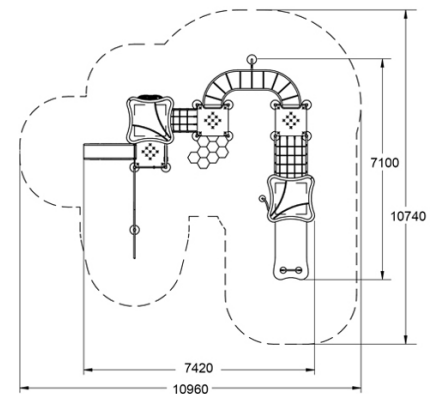
SPECIFICATIONS

Age Range	Primary
Fall Height	400 - 2000mm
Soft-fall Area	83.50m ²
Space Req. Incl Soft-fall	11m x 10.75m

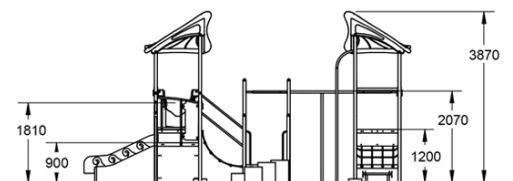
TECHNICAL INFORMATION

AUS Standards Compliance	AS4685
Assembly Time	3 Days
Total Weight	800 kg
Heaviest Component	50 kg
Concrete Required	1.4 m ³
Number of Footings	28

TOP VIEW



SIDE ELEVATION



[WARRANTY](#)



[CARE PLAN](#)



[COMPLIANCE](#)



[AUS MADE](#)