




PRODUCT INFORMATION

 [Download Files](#)

 [Colour Scheme](#)

 [3D Render](#)

 SUITABLE FOR EXTREME MARINE

 [Extreme Marine](#)

PLAY VALUE



 x 6
ACTIVITIES

 x 10
USERS

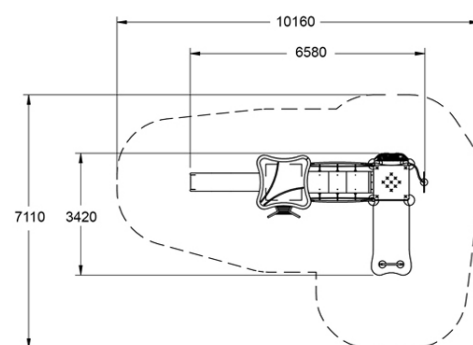
SPECIFICATIONS

| | |
|---------------------------|------------------|
| Age Range | Mixed/Primary |
| Fall Height | 1200mm - 1500mm |
| Soft-fall Area | 51m ² |
| Space Req. Incl Soft-fall | 10.20m x 7.15m |

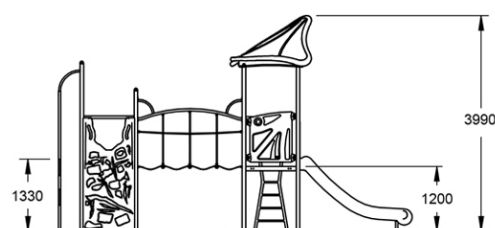
TECHNICAL INFORMATION

| | |
|--------------------------|-------------------|
| AUS Standards Compliance | AS4685 |
| Assembly Time | 1.5 Days |
| Total Weight | 450 kg |
| Heaviest Component | 40 kg |
| Concrete Required | .7 m ³ |
| Number of Footings | 14 |

TOP VIEW



SIDE ELEVATION



[WARRANTY](#)



[CARE PLAN](#)



[COMPLIANCE](#)



[AUS MADE](#)