

CAPITAL MINI

C-8211 - 42 Capital Mini Unit




PRODUCT INFORMATION

 [Download Files](#)

 [Colour Scheme](#)

 [3D Render](#)

 SUITABLE FOR EXTREME MARINE

 [Extreme Marine](#)

PLAY VALUE



 x 5
ACTIVITIES

 x 5
USERS

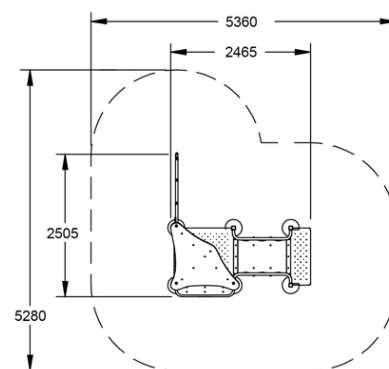
SPECIFICATIONS

| | |
|---------------------------|------------------|
| Age Range | Junior |
| Fall Height | 600 - 1200mm |
| Soft-fall Area | 24m ² |
| Space Req. Incl Soft-fall | 5.40m x 5.30m |

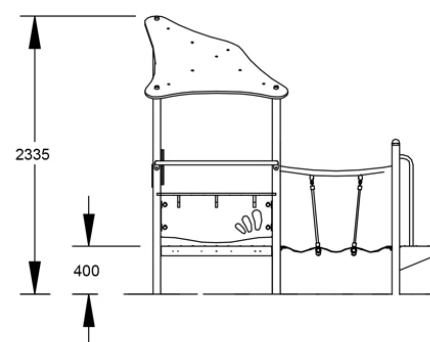
TECHNICAL INFORMATION

| | |
|--------------------------|--------------------|
| AUS Standards Compliance | AS4685 |
| Assembly Time | 5 hrs |
| Total Weight | 200 kg |
| Heaviest Component | 15 kg |
| Concrete Required | .35 m ³ |
| Number of Footings | 7 |

TOP VIEW



SIDE ELEVATION



[WARRANTY](#)



[CARE PLAN](#)



[COMPLIANCE](#)



[AUS MADE](#)

