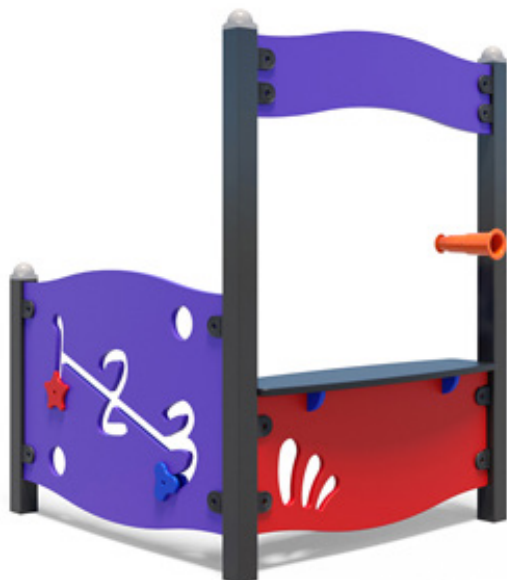


# CAPITAL MINI

## C-8210 - 41 Capital Mini Unit




### PRODUCT INFORMATION

 [Download Files](#)

 [Colour Scheme](#)

 [3D Render](#)

 SUITABLE FOR EXTREME MARINE

 [Extreme Marine](#)

### PLAY VALUE



 x 2  
ACTIVITIES

 x 5  
USERS

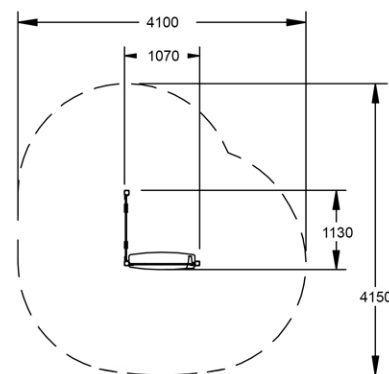
### SPECIFICATIONS

Age Range	Junior
Fall Height	N/A
Soft-fall Area	13.70m <sup>2</sup>
Space Req. Incl Soft-fall	4.15m x 4.10m

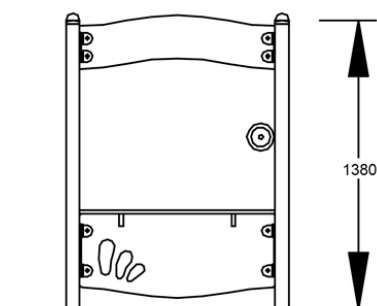
### TECHNICAL INFORMATION

AUS Standards Compliance	AS4685
Assembly Time	3 hrs
Total Weight	60 kg
Heaviest Component	12 kg
Concrete Required	.15 m <sup>3</sup>
Number of Footings	3

### TOP VIEW



### SIDE ELEVATION



[WARRANTY](#)



[CARE PLAN](#)



[COMPLIANCE](#)



[AUS MADE](#)

