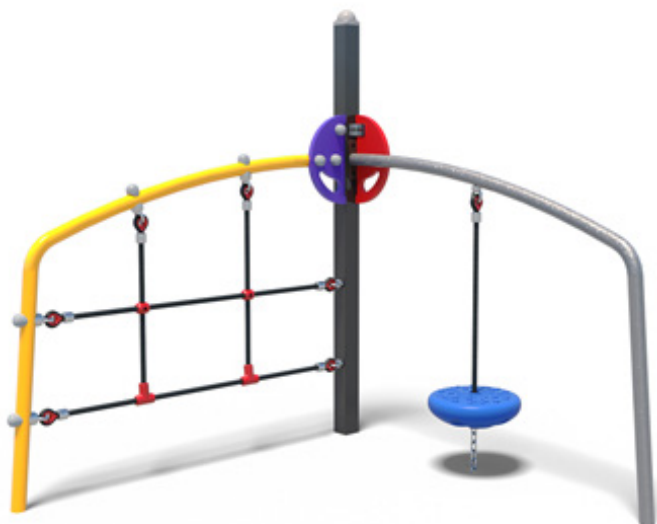


# CAPITAL MINI

## C-8208 - 39 Capital Mini Unit




### PRODUCT INFORMATION

 [Download Files](#)

 [Colour Scheme](#)

 [3D Render](#)

 SUITABLE FOR EXTREME MARINE

 [Extreme Marine](#)

### PLAY VALUE



 x 3  
ACTIVITIES

 x 5  
USERS

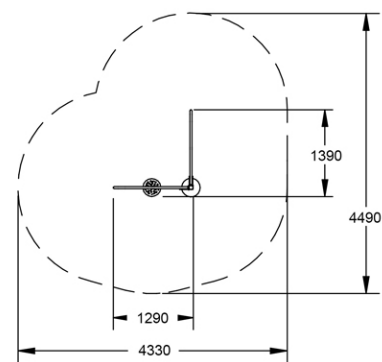
## SPECIFICATIONS

Age Range	Junior
Fall Height	600 - 1200mm
Soft-fall Area	14.90m <sup>2</sup>
Space Req. Incl Soft-fall	4.35m x 4.5m

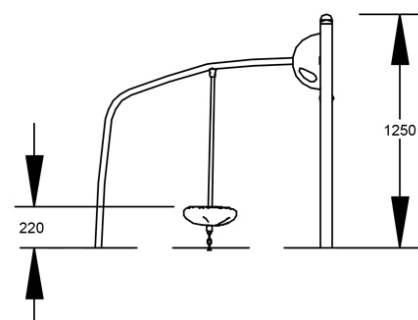
## TECHNICAL INFORMATION

AUS Standards Compliance	AS4685
Assembly Time	3 hrs
Total Weight	70 kg
Heaviest Component	12 kg
Concrete Required	.2 m <sup>3</sup>
Number of Footings	4

### TOP VIEW



### SIDE ELEVATION



[WARRANTY](#)



[CARE PLAN](#)



[COMPLIANCE](#)



[AUS MADE](#)