

CAPITAL MINI

C-8204 - 35 Capital Mini Unit




PRODUCT INFORMATION

 [Download Files](#)

 [Colour Scheme](#)

 [3D Render](#)

 SUITABLE FOR EXTREME MARINE

 [Extreme Marine](#)

PLAY VALUE



 x 6
ACTIVITIES

 x 10
USERS

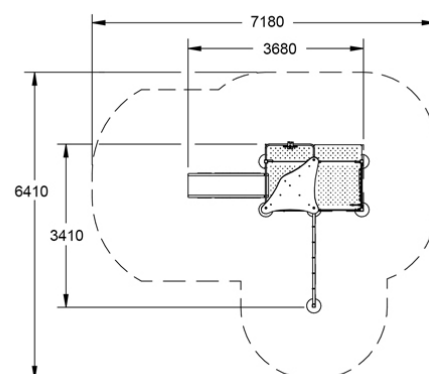
SPECIFICATIONS

Age Range	Junior / Mixed
Fall Height	600 - 1500mm
Soft-fall Area	32.60m ²
Space Req. Incl Soft-fall	7.20m x 6.50m

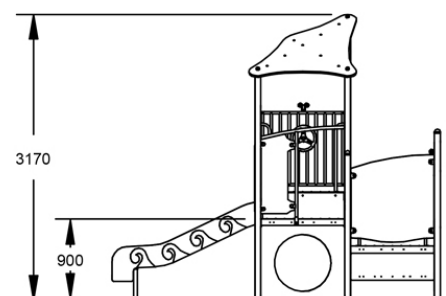
TECHNICAL INFORMATION

AUS Standards Compliance	AS4685
Assembly Time	1 Day
Total Weight	450 kg
Heaviest Component	20 kg
Concrete Required	.4 m ³
Number of Footings	8

TOP VIEW



SIDE ELEVATION



[WARRANTY](#)



[CARE PLAN](#)



[COMPLIANCE](#)



[AUS MADE](#)

