

# CAPITAL MINI

## C-8201 - 32 Capital Mini Unit




### PRODUCT INFORMATION

 [Download Files](#)

 [Colour Scheme](#)

 [3D Render](#)

 SUITABLE FOR EXTREME MARINE

 [Extreme Marine](#)

### PLAY VALUE



 x 4  
ACTIVITIES

 x 5  
USERS

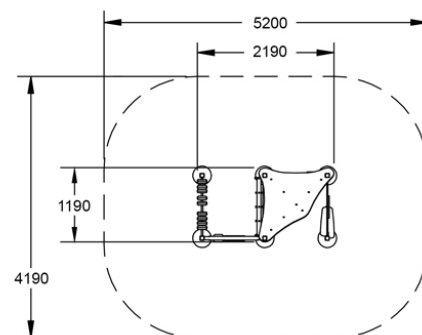
### SPECIFICATIONS

Age Range	Junior
Fall Height	N/A
Soft-fall Area	19m <sup>2</sup>
Space Req. Incl Soft-fall	4.20m x 5.20m

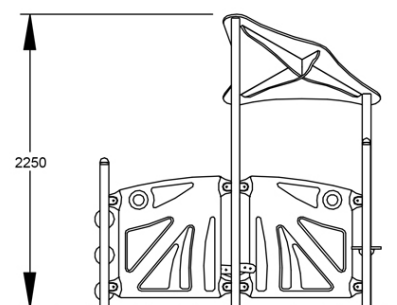
### TECHNICAL INFORMATION

AUS Standards Compliance	AS4685
Assembly Time	4 hrs
Total Weight	150 kg
Heaviest Component	12 kg
Concrete Required	.35 m <sup>3</sup>
Number of Footings	7

### TOP VIEW



### SIDE ELEVATION



[WARRANTY](#)



[CARE PLAN](#)



[COMPLIANCE](#)



[AUS MADE](#)