

BUSHWOOD


J-2243 Bushwood Mound Slide – Double 1200H



PRODUCT INFORMATION

 [Download Files](#)

 [3D Render](#)

 SUITABLE FOR EXTREME MARINE

 [Extreme Marine](#)

PLAY VALUE



SLIDE



x 1

ACTIVITIES



x 4

USERS

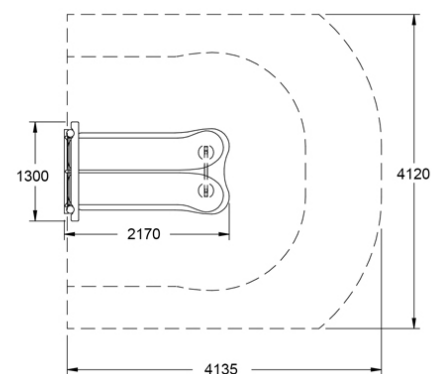
SPECIFICATIONS

Age Range	Mixed
Fall Height	1200mm
Soft-fall Area	16.20m ²
Space Req. Incl Soft-fall	4.10m x 4.10m

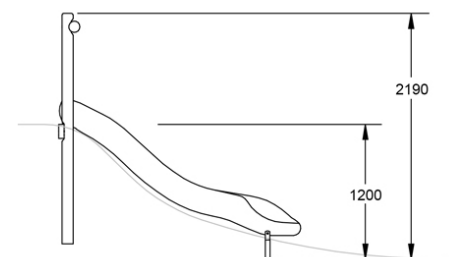
TECHNICAL INFORMATION

AUS Standards Compliance	AS4685
Assembly Time	3 hrs
Total Weight	50 kg
Heaviest Component	35 kg
Concrete Required	.2 m ³
Number of Footings	4

TOP VIEW



SIDE ELEVATION



[WARRANTY](#)



[CARE PLAN](#)



[COMPLIANCE](#)



[AUS MADE](#)