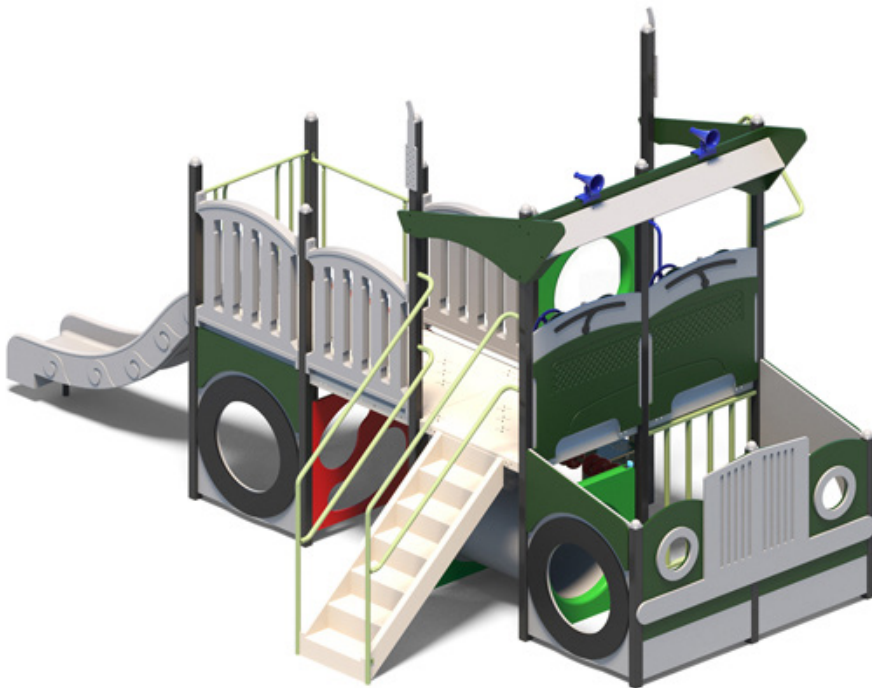


ADVENTURE


T-8470 - 21
Rattles



PRODUCT INFORMATION

 [Download Files](#)

 [3D Render](#)

 SUITABLE FOR EXTREME MARINE

 [Extreme Marine](#)

PLAY VALUE



 x 7
ACTIVITIES

 x 10
USERS

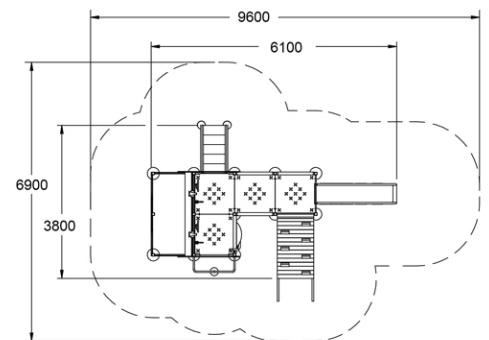
SPECIFICATIONS

Age Range	Junior / Mixed
Fall Height	600 - 1200mm
Soft-fall Area	48.30m ²
Space Req. Incl Soft-fall	9.60m x 6.90m

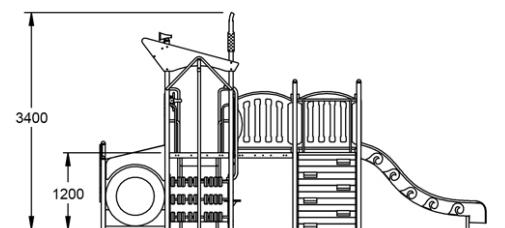
TECHNICAL INFORMATION

AUS Standards Compliance	AS4685
Assembly Time	2 Days
Total Weight	450 kg
Heaviest Component	25 kg
Concrete Required	.9 m ³
Number of Footings	18

TOP VIEW



SIDE ELEVATION



[WARRANTY](#)



[CARE PLAN](#)



[COMPLIANCE](#)



[AUS MADE](#)

