

ADVENTURE


T-8425 - 13
The Santa Maria



PRODUCT INFORMATION

 [Download Files](#)

 [3D Render](#)

 SUITABLE FOR EXTREME MARINE

 [Extreme Marine](#)

PLAY VALUE



 x 15
ACTIVITIES

 x 20
USERS

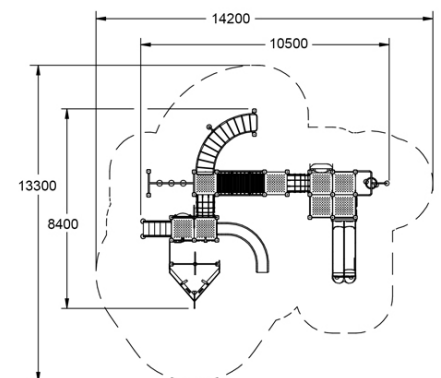
SPECIFICATIONS

Age Range	Mixed
Fall Height	600 - 2200mm
Soft-fall Area	128.50m ²
Space Req. Incl Soft-fall	14.20m x 13.30m

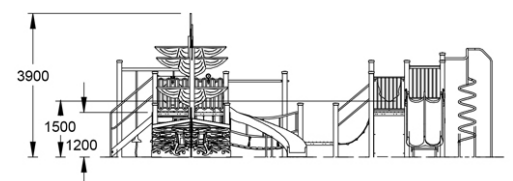
TECHNICAL INFORMATION

AUS Standards Compliance	AS4685
Assembly Time	3.5 Days
Total Weight	1250 kg
Heaviest Component	40 kg
Concrete Required	2.4 m ³
Number of Footings	48

TOP VIEW



SIDE ELEVATION



[WARRANTY](#)



[CARE PLAN](#)



[COMPLIANCE](#)



[AUS MADE](#)

