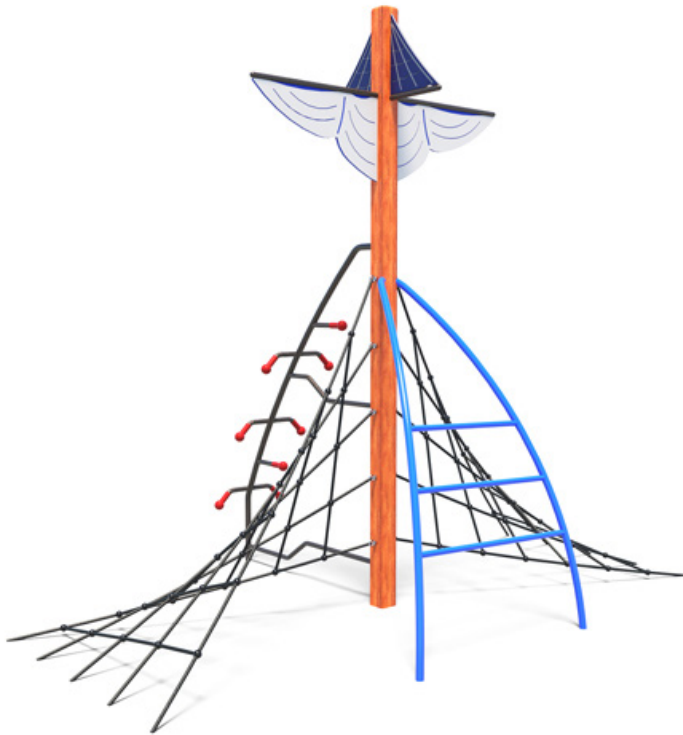


# ADVENTURE

## T-8404 - 03


### The Picaroon



#### PRODUCT INFORMATION

 [Download Files](#)

 [3D Render](#)

 SUITABLE FOR EXTREME MARINE

 [Extreme Marine](#)

#### PLAY VALUE



 x 3  
ACTIVITIES

 x 5  
USERS

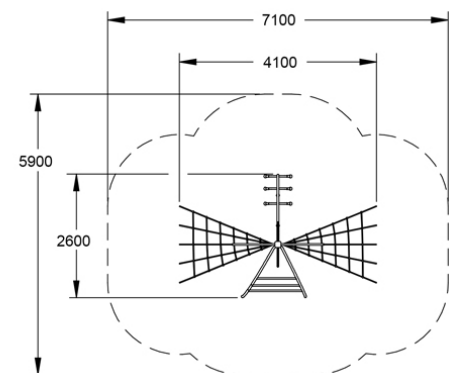
## SPECIFICATIONS

Age Range	Junior
Fall Height	600 - 2200mm
Soft-fall Area	35m <sup>2</sup>
Space Req. Incl Soft-fall	5.90m x 7.10m

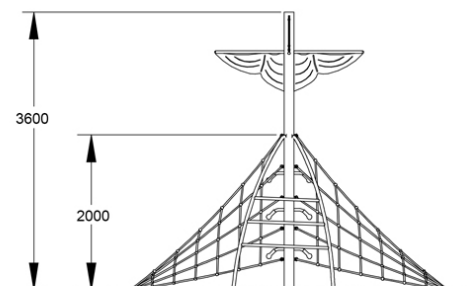
## TECHNICAL INFORMATION

AUS Standards Compliance	AS4685
Assembly Time	5 hrs
Total Weight	90 kg
Heaviest Component	40 kg
Concrete Required	.6 m <sup>3</sup>
Number of Footings	12

#### TOP VIEW



#### SIDE ELEVATION



[WARRANTY](#)



[CARE PLAN](#)



[COMPLIANCE](#)



[AUS MADE](#)

