

# 30 SERIES

**G-1312**  
Tipi




## PRODUCT INFORMATION

 [Download Files](#)

 [Colour Scheme](#)

 [3D Render](#)

 SUITABLE FOR EXTREME MARINE

 [Extreme Marine](#)

## PLAY VALUE



 x 4  
ACTIVITIES

 x 5  
USERS

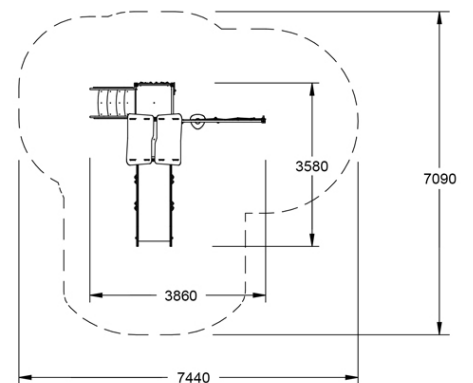
## SPECIFICATIONS

Age Range	Junior/Mixed
Fall Height	2150mm
Soft-fall Area	38m <sup>2</sup>
Space Req. Incl Soft-fall	7.40m x 7.10m

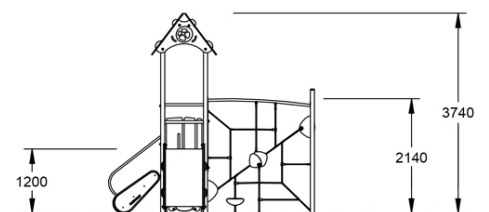
## TECHNICAL INFORMATION

AUS Standards Compliance	AS4685
Assembly Time	8 Hours
Total Weight	638kg
Heaviest Component	80kg
Concrete Required	2.21m <sup>3</sup>
Number of Footings	13

## TOP VIEW



## SIDE ELEVATION



[WARRANTY](#)



[CARE PLAN](#)



[COMPLIANCE](#)



[AUS MADE](#)