

30 SERIES

G-1302
Cressida




PRODUCT INFORMATION

 [Download Files](#)

 [Colour Scheme](#)

 [3D Render](#)

 SUITABLE FOR EXTREME MARINE

 [Extreme Marine](#)

PLAY VALUE



 x 3
ACTIVITIES

 x 5
USERS

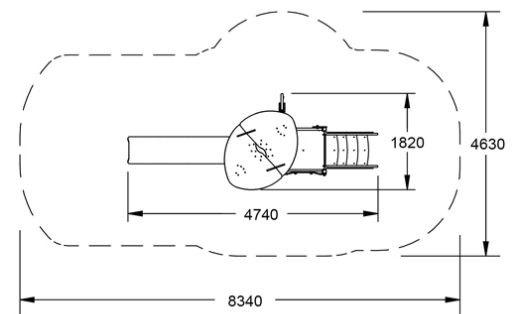
SPECIFICATIONS

Age Range	Junior/Mixed
Fall Height	1500mm
Soft-fall Area	31m ²
Space Req. Incl Soft-fall	8.40m x 4.60m

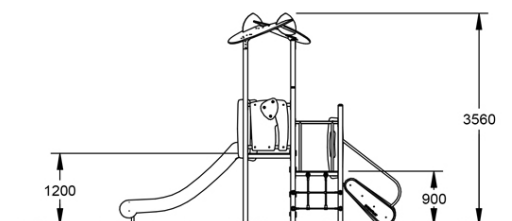
TECHNICAL INFORMATION

AUS Standards Compliance	AS4685
Assembly Time	8 Hours
Total Weight	482kg
Heaviest Component	43kg
Concrete Required	1.7m ³
Number of Footings	10

TOP VIEW



SIDE ELEVATION



[WARRANTY](#)



[CARE PLAN](#)



[COMPLIANCE](#)



[AUS MADE](#)