




### PRODUCT INFORMATION

 [Download Files](#)

 [Colour Scheme](#)

 [3D Render](#)

 SUITABLE FOR EXTREME MARINE

 [Extreme Marine](#)

### PLAY VALUE



 x 6  
ACTIVITIES

 x 10  
USERS

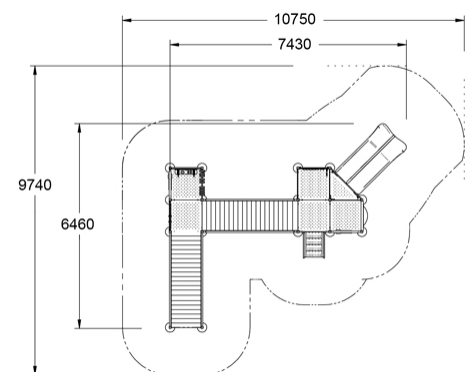
### SPECIFICATIONS

Age Range	Mixed/Inclusive
Fall Height	1200mm
Soft-fall Area	51.40m <sup>2</sup>
Space Req. Incl Soft-fall	10.80m x 9.70m

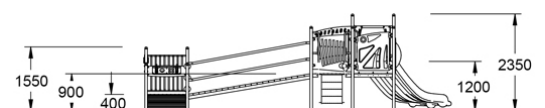
### TECHNICAL INFORMATION

AUS Standards Compliance	AS4685
Assembly Time	2 Days
Total Weight	300kg
Heaviest Component	75kg
Concrete Required	1 m <sup>3</sup>
Number of Footings	20

### TOP VIEW



### SIDE ELEVATION



[WARRANTY](#)



[CARE PLAN](#)



[COMPLIANCE](#)



[AUS MADE](#)