




PRODUCT INFORMATION

 [Download Files](#)

 [3D Render](#)

 SUITABLE FOR EXTREME MARINE

 [Extreme Marine](#)

PLAY VALUE



STRENGTH



x 1
ACTIVITIES



x 2
USERS

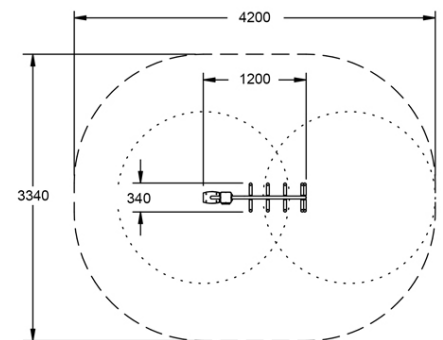
SPECIFICATIONS

Age Range	Youth / Adult
Fall Height	1200mm
Soft-fall Area	12m ²
Space Req. Incl Soft-fall	4.20m x 3.35m

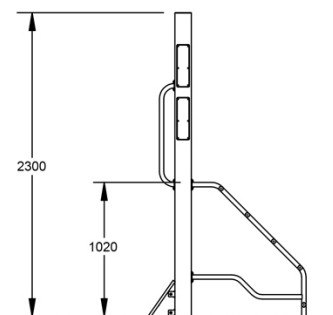
TECHNICAL INFORMATION

AUS Standards Compliance	AS4685
Install Time (Team of 2)	4 hrs
Total Weight	40 kg
Heaviest Component	30 kg
Concrete Required	.1 m ³
Number of Footings	2

TOP VIEW



SIDE ELEVATION



[WARRANTY](#)



[CARE PLAN](#)



[COMPLIANCE](#)



[AUS MADE](#)