


PRODUCT INFORMATION

 [Download Files](#)

 [3D Render](#)

 SUITABLE FOR EXTREME MARINE

 [Extreme Marine](#)



PLAY VALUE



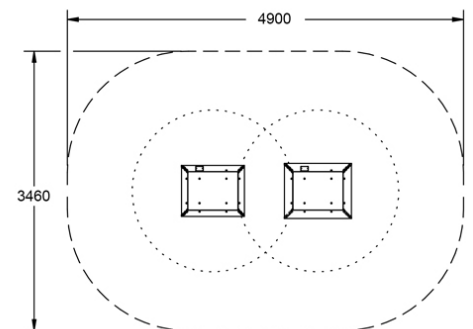
SPECIFICATIONS

Age Range	Youth / Adult
Fall Height	1000mm
Soft-fall Area	15m ²
Space Req. Incl Soft-fall	4.90m x 3.50m

TECHNICAL INFORMATION

AUS Standards Compliance	AS4685
Install Time (Team of 2)	2 hrs
Total Weight	60 kg
Heaviest Component	30 kg
Concrete Required	.1 m ³
Number of Footings	8

TOP VIEW



SIDE ELEVATION



[WARRANTY](#)



[CARE PLAN](#)



[COMPLIANCE](#)



[AUS MADE](#)