




### PRODUCT INFORMATION

 [Download Files](#)

 [3D Render](#)

 SUITABLE FOR EXTREME MARINE

 [Extreme Marine](#)

### PLAY VALUE



 x 8  
ACTIVITIES

 x 15  
USERS

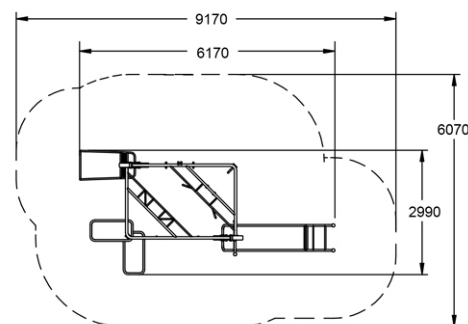
### SPECIFICATIONS

Age Range	Mixed / Adult
Fall Height	2640mm
Soft-fall Area	46.30m <sup>2</sup>
Space Req. Incl Soft-fall	9.20m x 6.10m

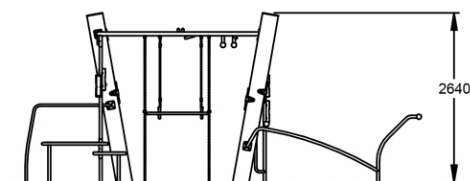
### TECHNICAL INFORMATION

AUS Standards Compliance	AS4685
Install Time (Team of 2)	12 hrs
Total Weight	150 kg
Heaviest Component	30 kg
Concrete Required	.60 m <sup>3</sup>
Number of Footings	12

### TOP VIEW



### SIDE ELEVATION



[WARRANTY](#)



[CARE PLAN](#)



[COMPLIANCE](#)



[AUS MADE](#)