




PRODUCT INFORMATION

 [Download Files](#)

 [3D Render](#)

 SUITABLE FOR EXTREME MARINE

 [Extreme Marine](#)

PLAY VALUE



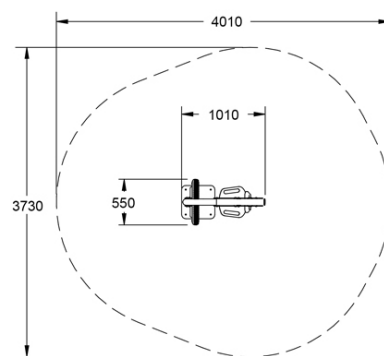
SPECIFICATIONS

Age Range	Youth / Adult
Fall Height	800mm
Soft-fall Area	11.50m ²
Space Req. Incl Soft-fall	4.05m x 3.75m

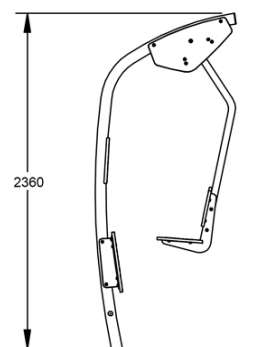
TECHNICAL INFORMATION

AUS Standards Compliance	AS4685
Install Time (Team of 2)	3 hrs
Total Weight	80 kg
Heaviest Component	80 kg
Concrete Required	.05 m ³
Number of Footings	1

TOP VIEW



SIDE ELEVATION



[WARRANTY](#)



[CARE PLAN](#)



[COMPLIANCE](#)



[AUS MADE](#)