

### PRODUCT INFORMATION

[Download Files](#)

[3D Render](#)

SUITABLE FOR EXTREME MARINE

[Extreme Marine](#)

### PLAY VALUE



x 1  
ACTIVITIES

x 10  
USERS

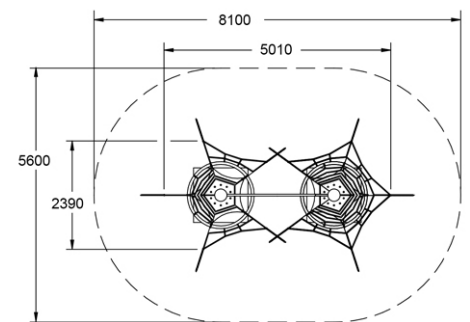
## SPECIFICATIONS

Age Range	Mixed
Fall Height	2100mm
Soft-fall Area	38.70m <sup>2</sup>
Space Req. Incl Soft-fall	8.10m x 5.60m

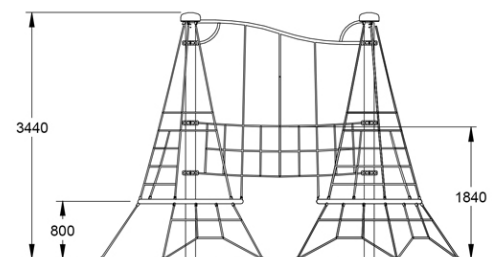
## TECHNICAL INFORMATION

AUS Standards Compliance	AS4685
Install Time (Team of 2)	20 hrs
Total Weight	400 kg
Heaviest Component	120 kg
Concrete Required	1.5 m <sup>3</sup>
Number of Footings	12

### TOP VIEW



### SIDE ELEVATION



[WARRANTY](#)



[CARE PLAN](#)



[COMPLIANCE](#)



[AUS MADE](#)